

# ALPHA MR16 SPOT

## KEY FEATURES

- High quality spot made of aluminium
- Ideal for mood or accent lighting
- Powder coating finish
- Fast installation with GU10 fitting (included)
- Excluding LED lamp, select your preferred lamp
- GU10 fitting on 230V
- Diameter: 92mm
- Installation depth: 70mm
- 40 degrees tiltable

## APPLICATIONS



## OPTIONS



## SPECIFICATIONS

Item code	Description	Equivalent	Color
4600154	Alpha MR16 Spot Aluminum Ø92mm Cutout Ø80mm 40° Tilttable (Incl. GU10 Fitting)	50W HAL	Aluminum
4600161	Alpha MR16 Spot White Ø92mm Cutout Ø80mm 40° Tilttable (Incl. GU10 Fitting)	50W HAL	White
4600178	Alpha MR16 Spot Black Ø92mm Cutout Ø80mm 40° Tilttable (Incl. GU10 Fitting)	50W HAL	Black
4600185	Alpha MR16 Spot Nickel Ø92mm Cutout Ø80mm 40° Tilttable (Incl. GU10 Fitting)	50W HAL	Nickel

## TECHNICAL DATA

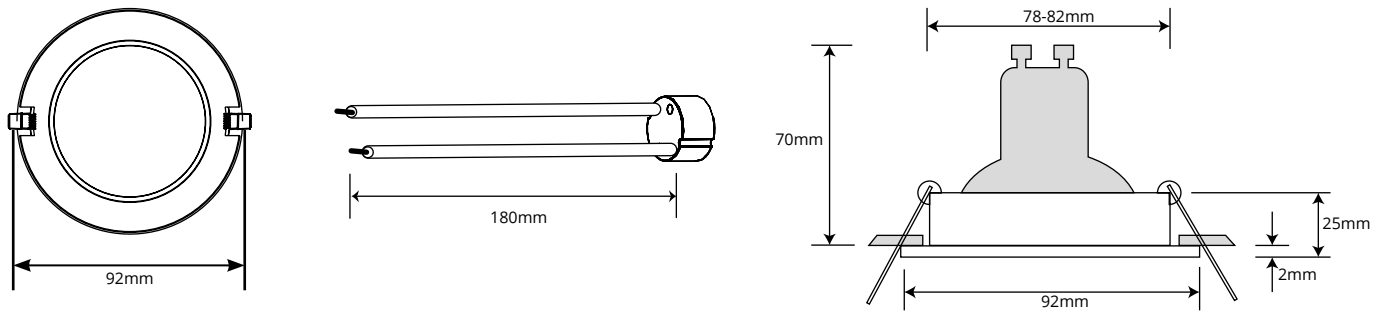
Electrical data	
Voltage (V)	220-240
Frequency (Hz)	50/60
Max. Power (W)	50
Operating mode	GU10 fitting included
Electrical connection	2x 0.75 mm <sup>2</sup> wire

Colors & materials	
Color ( Housing)	Aluminum, White, Black, Nickel
Material ( Housing)	Aluminum

Certificates & standards	
Fixture certificates	CE
Ingress protection	IP20
Protection class IK	02

Capabilities	
Type of connection	GU10 with 18cm cable
Installation	40° Tilttable

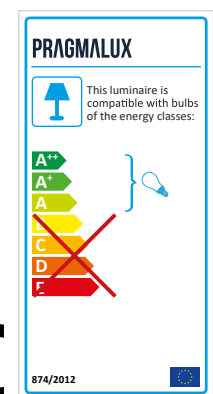
## DIMENSIONS



## PACKAGING INFORMATION

Item code	Description	Single box		Master carton		
		Dimensions(LxWxH) (mm)	Weight(kg)	Units per master carton	Dimensions(LxWxH) (mm)	Weight(kg)
4600154	Alpha MR16 Spot Aluminum Ø92mm Cutout Ø80mm 40° Tilttable (Incl. GU10 Fitting)	100x115x50	0.162	50	500x245x275	8.8
4600161	Alpha MR16 Spot White Ø92mm Cutout Ø80mm 40° Tilttable (Incl. GU10 Fitting)	100x115x50	0.167	50	500x245x275	9
4600178	Alpha MR16 Spot Black Ø92mm Cutout Ø80mm 40° Tilttable (Incl. GU10 Fitting)	100x115x50	0.167	50	500x245x275	9
4600185	Alpha MR16 Spot Nickel Ø92mm Cutout Ø80mm 40° Tilttable (Incl. GU10 Fitting)	100x115x50	0.167	50	500x245x275	9

## APPLICATIONS



## PRAGMALUX

All rights reserved. PragmaLux - PDL Lighting Group B.V. retains the right to modify product specifications without any prior notice or obligation and does not assume any liability for any consequences of using this document. Subject to errors and printing errors. Luminous flux tolerance: +/- 10%. Power consumption tolerance: +/- 10%.

Version: October 2019